

Contact Information

ADD: Weisipai Valve Park, He Yi Industry Zone, Oubei Town,
Yongjia County, Wenzhou City, Zhejiang, China

Tel: +86-577-66967292

Fax: +86-577-66067192

Cell: +86-158-6772-9999

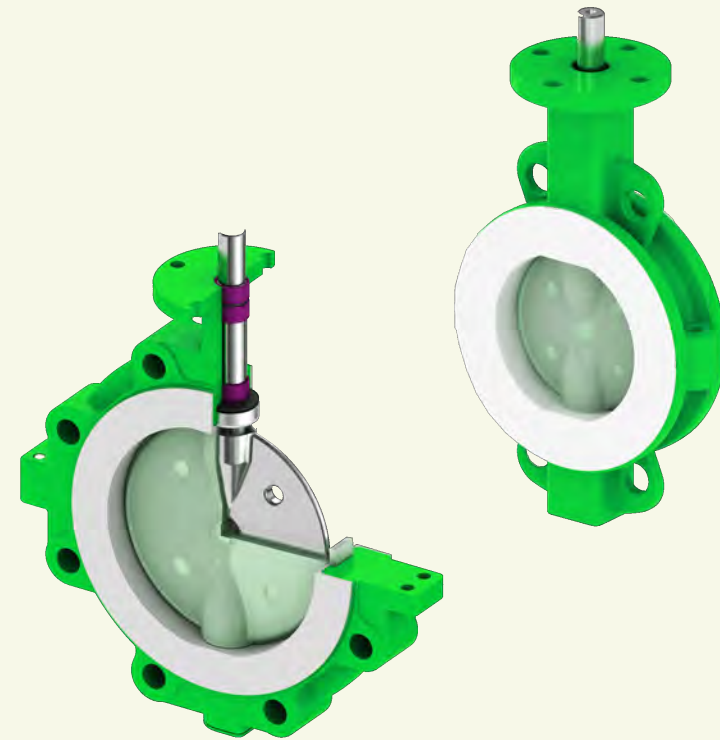
Web: <http://www.verspec.com>

E-mail: info@verspec.com

Skype ID: verspec



API 609 Wafer Type Lined Butterfly Valve



VerSpec Valve Wenzhou Co.,Ltd.

<http://www.verspec.com>

Technical Specification



Size Range	2"~36"
Working Pressure	16bar Max.
Temperature Range	-20℃~200℃
Applicable Design Standards	API 609 or DIN EN1092 or JIS B2032
Face to face	ASME B16.10 or DIN 2532 or JIS B2002
Flange Ends	ASME B16.5 or DIN 2532 or JIS B2212
Visual Inspection Standard	MSS-SP-54
Water & Air Test	API 598 or DIN 3230 or JIS B2003
Pressure and Temperature Rating	ASME B16.34
Applicable Operator	Lever or Worm Gear or Pneumatic or Electrical
Spark Test	14 kv

Company Introduction

VerSpec products are used throughout the oil&gas, chemical, power generation, water treatment and semiconductor industries. For High Purity Teflon Lined Valves, we all manufacturing in a Class-1,000 clean room environment. We have one cooperated branch located in China, mainly focus on corrosion-resistant, abrasion-resistant and high temperature-resistant technology and flow control products, our new generation PFA lined ball valve, PTFE lined butterfly valve, High Pure Aluminum Oxide Ceramic Ball Valve, Zero Leakage Chrome Carbide Metal Seated Through Conduit Gate Valve with Purging Function and another valves all used in clients' plant in good condition.



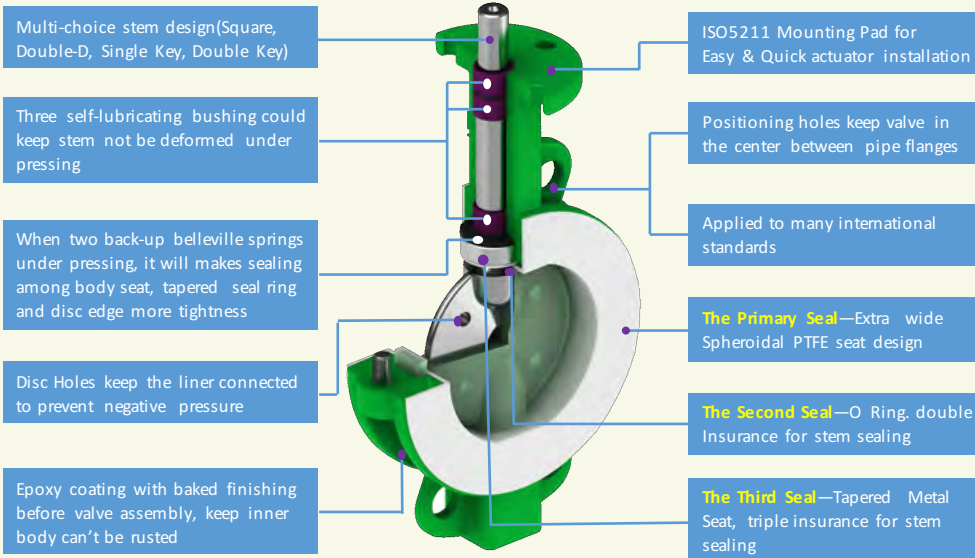
Air Shower

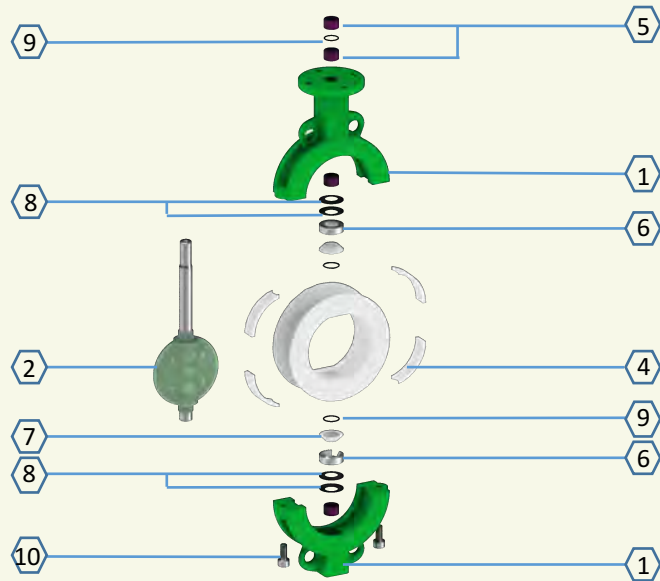


Parts Checking Before Assembly

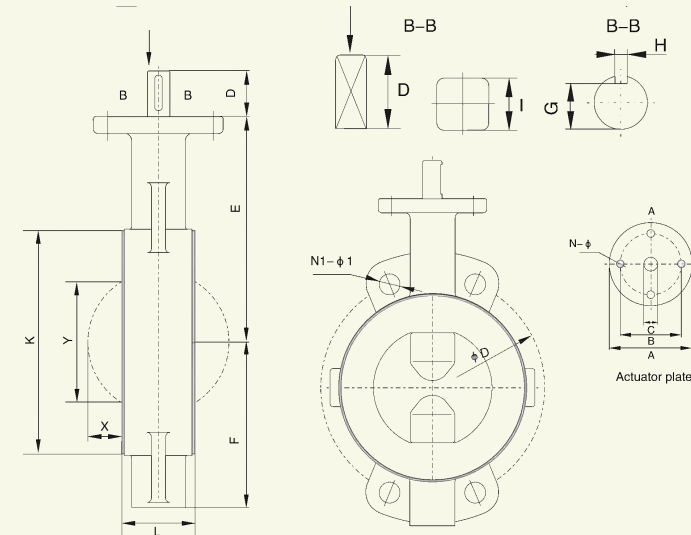


Cleaning Room Assembly





Wafer Type Lined Butterfly Valve



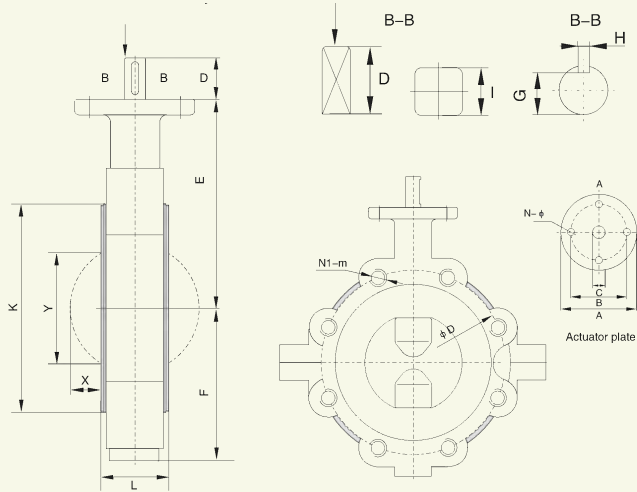
NO	Part Name	Q'ty	Applicable Material
1	Body	2	Carbon Steel
			Stainless Steel
			Ductile Iron
2	Integral Disc	1	CS
			SS
			DI
3	Seat/Body Liner	1	PTFE/PFA/FEP
4	Spacer	2	Silicone Rubber
5	Shaft bushing	4	CS+PTFE
6	Tapered metal seat	2	Carbon Steel
7	Tapered gasket	2	PTFE
8	Belleville Spring	4	Spring Grade Steel
9	O Ring	3	Viton
10	Hex. Bolt	2	Stainless Steel

www.verspec.com

NPS	Dimension (mm)														ISO 5211	ASME 150LB		Weight (kg)	CV	Torque (N.M)
	Size (in)	A	B	C	D	E	F	G	H	I	N-D	L	K	X		Y	ΦD			
2	90	70	13	23	115	60	/	/	11	4-10	43	100	9	42	F07	120.7	4-19	70	13	23
2.5	90	70	13	23	115	60	/	/	11	4-10	43	100	9	42	F07	139.7	4-19	70	13	23
3	90	70	13	26	150	86	/	/	11	4-10	46	132	18	66	F07	152.4	4-19	70	13	26
4	90	70	18	26	160	112	/	/	14	4-10	52	158	25	85	F07	190.5	8-19	70	18	26
5	90	70	18	26	175	130	/	/	14	4-10	56	183	35	112	F07	215.9	8-22	70	18	26
6	125	102	24	28	192	145	/	/	17	4-12	56	210	48	139	F10	241.3	8-22	102	24	28
8	125	102	24	28	220	175	/	/	17	4-12	60	263	69	187	F10	298.5	8-22	102	24	28
10	150	125	32	35	275	214	/	/	24	4-14	68	320	90	237	F12	362	12-25	125	32	35
12	150	125	32	35	310	250	/	/	24	4-14	78	368	112	290	F12	431.8	12-25	125	32	35
14	210	165	38	55	370	292	33	10	/	4-22	78	410	136	341	F16	476.3	12-28	165	38	55
16	210	165	38	55	395	317	33	10	/	4-22	102	465	147	383	F16	539.8	16-28	165	38	55
18	210	165	46	65	434	360	40.5	14	/	4-22	114	520	167	432	F16	577.9	16-32	165	46	65
20	210	165	46	65	455	380	40.5	14	/	4-22	127	575	181	473	F16	635	20-32	165	46	65
24	210	165	55	75	525	440	49	16	/	4-22	154	680	218	569	F16	749.3	20-35	165	55	75

www.verspec.com

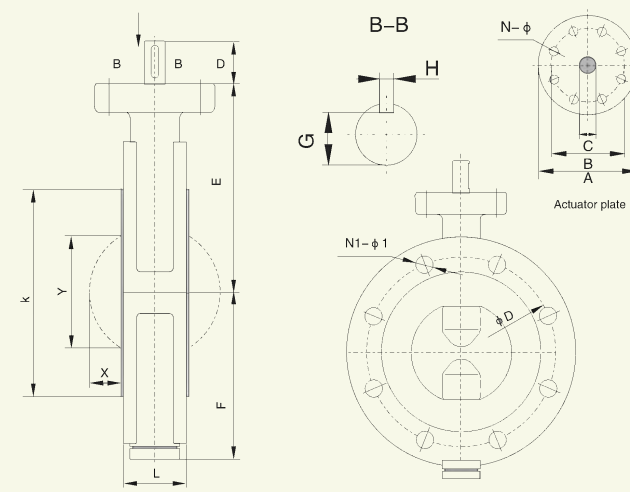
Lug Type Lined Butterfly Valve



NPS	Dimension (mm)														ISO 5211	ASME 150LB		Weight (kg)	CV	Torque (N.M)
	Size (in)	A	B	C	D	E	F	G	H	I	N-Ø	L	K	X		Y	ØD			
2	77	57	12.6	23	115	60	/	/	11	4-10	52	100	9	42	F07	120.7	4-19	2.2	210	25
2.5	77	57	12.6	23	115	60	/	/	11	4-10	52	100	9	42	F07	139.7	4-19	2.3	210	25
3	92	70	12.6	26	150	86	/	/	11	4-10	52	135	18	66	F07	152.4	4-19	4.2	410	50
4	92	70	15.9	26	160	115	/	/	14	4-10	52	158	25	85	F07	190.5	8-19	6.4	710	80
5	92	70	15.9	26	175	130	/	/	14	4-10	56	185	35	112	F07	215.9	8-22	7.9	1150	90
6	115	89	22.2	28	192	145	/	/	17	4-14	56	210	48	139	F07	241.3	8-22	10.4	1750	130
8	115	89	22.2	28	220	175	/	/	17	4-14	60	263	69	187	F10	298.5	8-22	17	3550	180
10	140	108	31.8	35	275	215	/	/	24	4-14	68	320	90	237	F10	362	12-25	25	5100	400
12	140	108	31.8	35	310	250	/	/	24	4-14	78	368	112	290	F12	413.8	12-25	34.5	8870	610
14	210	165	38	55	360	285	33	10	/	4-22	78	410	136	341	F14	476.3		75	9200	850
16	210	165	38	55	395	320	33	10	/	4-22	102	460	147	383	F14	539.8		110	14500	1170
18	210	165	44	65	435	360	38.5	14	/	4-22	114	518	167	432	F14	577.9		130	20100	1560
20	210	165	44	65	435	385	38.5	14	/	4-22	127	565	181	473	F14	635		190	22000	1820
24	210	165	55	75	525	445	49	16	/	4-22	154	658	218	569	F14	749.3		280	31000	2990

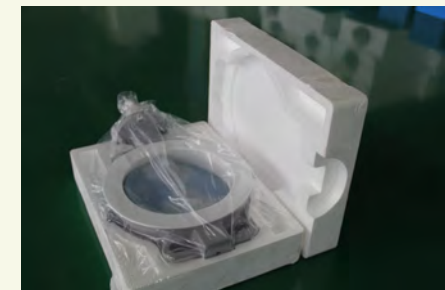
www.verspec.com

Flange Type Lined Butterfly Valve



NPS	Dimension (mm)														ISO 5211	ASME 150LB		Weight (kg)	CV	Torque (N.M)
	Size (in)	A	B	C	D	E	F	G	H	N-Ø	L	K	X	Y		ØD	N1-Ø1			
28	300	254	70	120	670	550	55	20	8-19	165	780	268	680	F25	795.3	40-7/8	320	39500	3500	
32	300	254	70	120	750	600	55	20	8-19	190	885	295	756	F25	900.1	48-7/8	395	51750	4500	
36	300	254	85	120	790	630	67	22	8-19	203	990	344	867	F25	1010	44-1	450	63600	5500	

Unique Foam Box Package



www.verspec.com